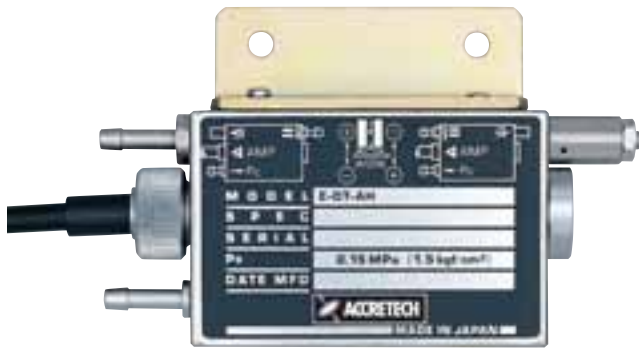


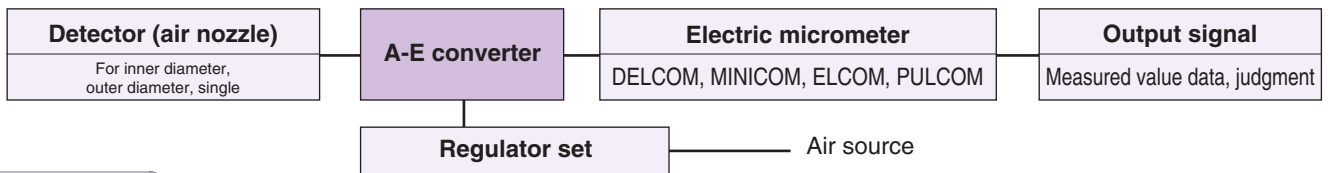
E-DT-AH A-E Converter >>>



Features

An A-E converter is a unit that uses bellows and a differential transformer to convert the minute dimensional changes that are detected by an air nozzle into an electric signal. This takes advantage of the merits of air micrometers (simple measuring head, durable and easy to use) and electric micrometers (fast response speed and various output signals). This makes the A-E ideal for manual and automatic measuring systems.

Configuration



Specifications

Model **E-DT-AH-Type Number (Select from below)** 3

Standard (SNS connector): S
 Canon connector : C
 Metal connector : M

φ2 nozzle (1-orifice or 2-orifice; Used for measuring ranges of φ10mm or greater.)

Measuring range	Guide clearance*	Repeatability**	Internal diameter post type number (product code)	External diameter post type number (product code)
0.030mm	0.020 to 0.030mm	1.5 μm	310(0901170)	311(0901180)
0.060mm	0.020 to 0.030mm	2.0 μm	520(0901176)	521(0901181)
0.100mm	0.020 to 0.030mm	3.0 μm	1550(0901177)	1551(0901174)

φ1.5 nozzle (1-orifice or 2-orifice; Used for measuring ranges of φ7 to φ10mm or greater.)

Measuring range	Guide clearance*	Repeatability**	Internal diameter post type number (product code)	External diameter post type number (product code)
0.010mm	0.020 to 0.030mm	1.0 μm	210(0901175)	211(0901179)
0.040mm	0.020 to 0.030mm	1.5 μm	310(0901170)	311(0901180)
0.080mm	0.020 to 0.030mm	2.0 μm	520(0901176)	521(0901181)

φ0.4 nozzle (1-orifice or 2-orifice; Used for measuring ranges of φ7 to φ10mm or greater.)

Measuring range	Guide clearance*	Repeatability**	Internal diameter post type number (product code)	External diameter post type number (product code)
0.010mm	0.008 to 0.013mm	0.5 μm	0520(0901178)	

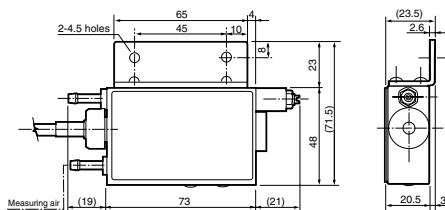
φ0.3 nozzle (1-orifice or 2-orifice; Used for measuring ranges of φ1 to φ4mm or greater.)

Measuring range	Guide clearance*	Repeatability**	Internal diameter post type number (product code)	External diameter post type number (product code)
0.010mm	0.008 to 0.013mm	0.5 μm	0520(0901178)	

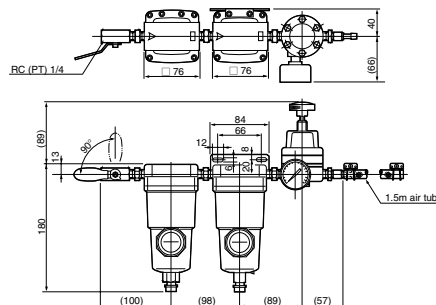
- ★ Guide clearances are general values.
 - ★★ Repeatability shows values for diameter upper limit, and precision decreases as guide clearance increases.
 - ★★★ The product code is different for Canon connector and metal connector.
- Contract your sales representative to inquire about other items not covered above.

Outer Appearance/Dimension Diagram

A-E converter



Regulator set



Regulator Set Product Codes	
1 Regulator	6175501
2 Regulators	6175502
3 Regulators	6175503
4 Regulators	6175504
5 Regulators	6175505
6 Regulators	6175506