

PULCOM Σ/Γ

Peripheral Devices

Air Drive Units



DA-08S

■ Features

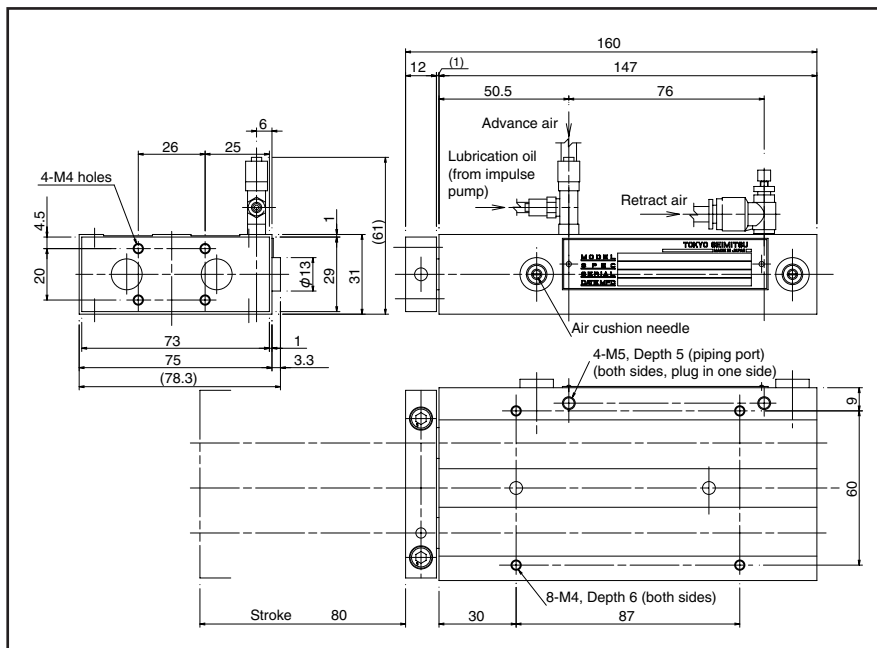
- This unit is air operated.
- It is used to advance and detract PULCOM Σ and other measuring heads.
- The most suitable for a small type processing machine without an oil pressure unit.
- Realization of high rigidity equivalent to an oil pressure drive unit.

■ Air Drive Unit Usage Conditions

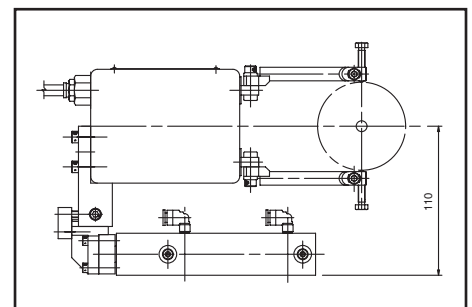
Condition	Drive unit orientation	
	Horizontal setting	Vertical setting
① Drive air pressure	0.3 – 0.5 MPa	
② Lubrication	Forced lubrication (impulse valve)	
③ Load	2.2 kg or less	3.0 kg or less
④ Measuring head mounting	<ul style="list-style-type: none"> • Mounted above drive unit • In the height direction, measuring point H should be 110 mm or less. • Horizontal offset should be within width of drive unit. • Use a run-out stop guide when measuring in horizontal direction. 	<ul style="list-style-type: none"> • Mounting position is upper side of a drive unit, or within 35mm of an offset. • For height direction, Measuring point H=168mm or less (Offset 0mm) Measuring point H=138mm or less (Offset 35mm)

Product Code	Product Name
4207668	Pneumatic Drive Unit DA-08S

■ Outer Appearance/Dimension Diagram



Configuration Reference Diagram (horizontal orientation)



Valve Reference Circuit Diagram

